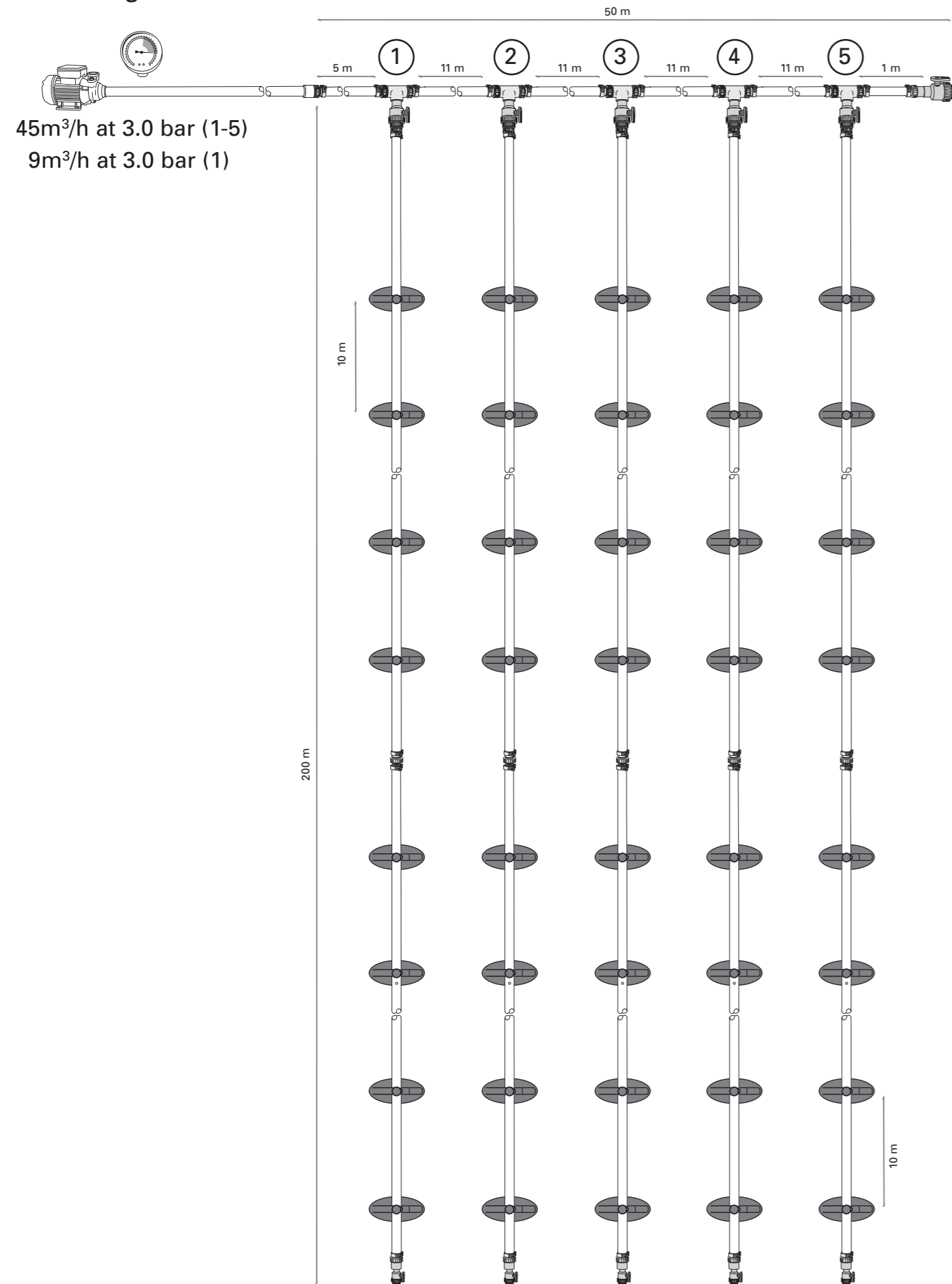
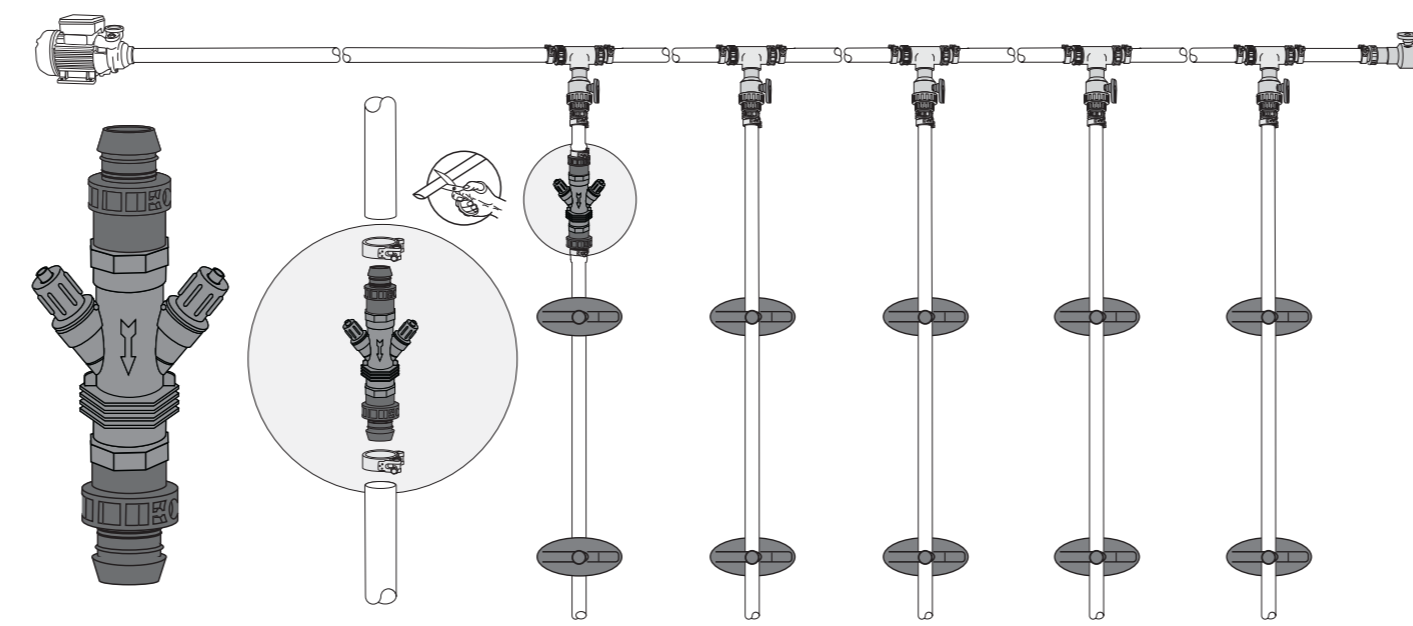


7. Planogram

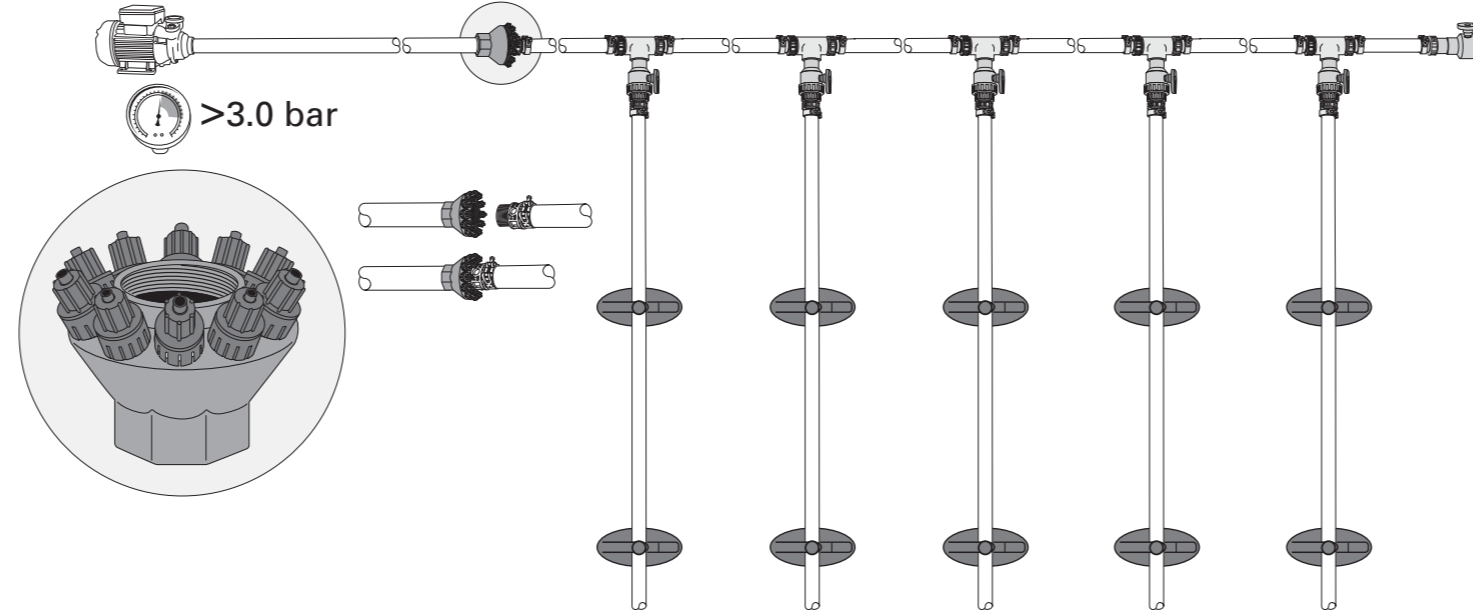


8. Optional:

Option a: PRV 2" BARB CONN. 3.0 BAR KIT (cat no. 43040-035250)
Not included in this kit



Option b: PRV 2000 3" BSP 2.5 BAR 35 PSI 10 (cat no. 30580-001600)
Not included in this kit



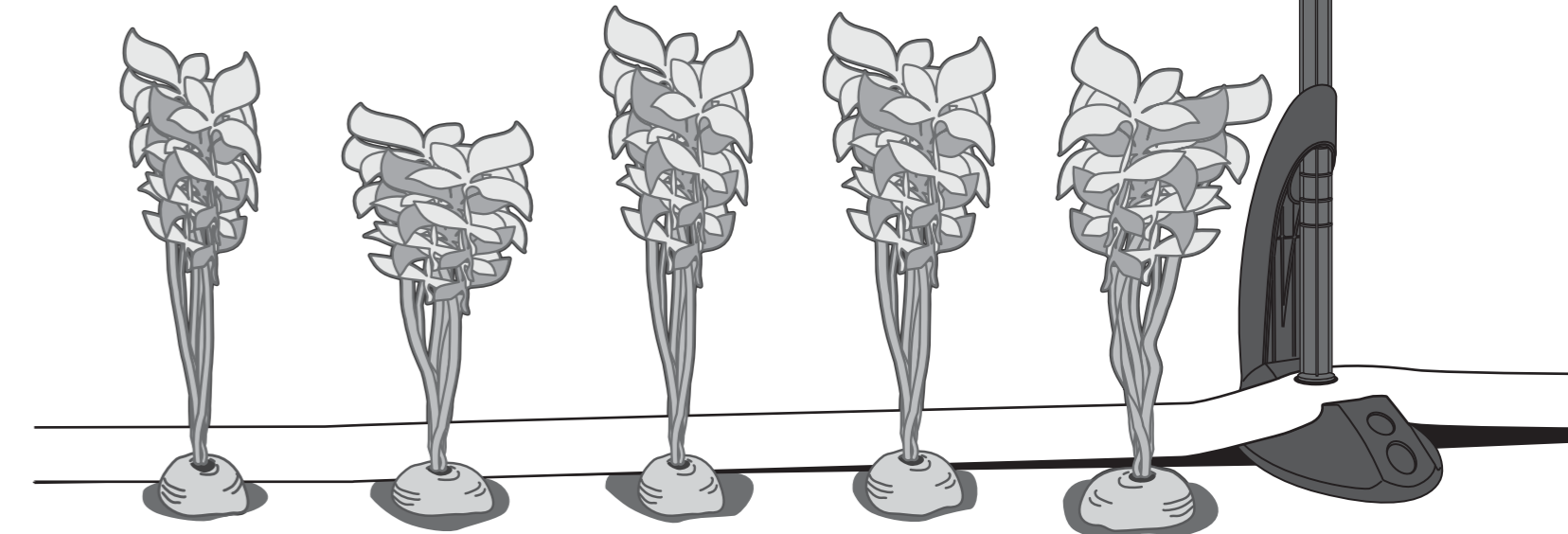
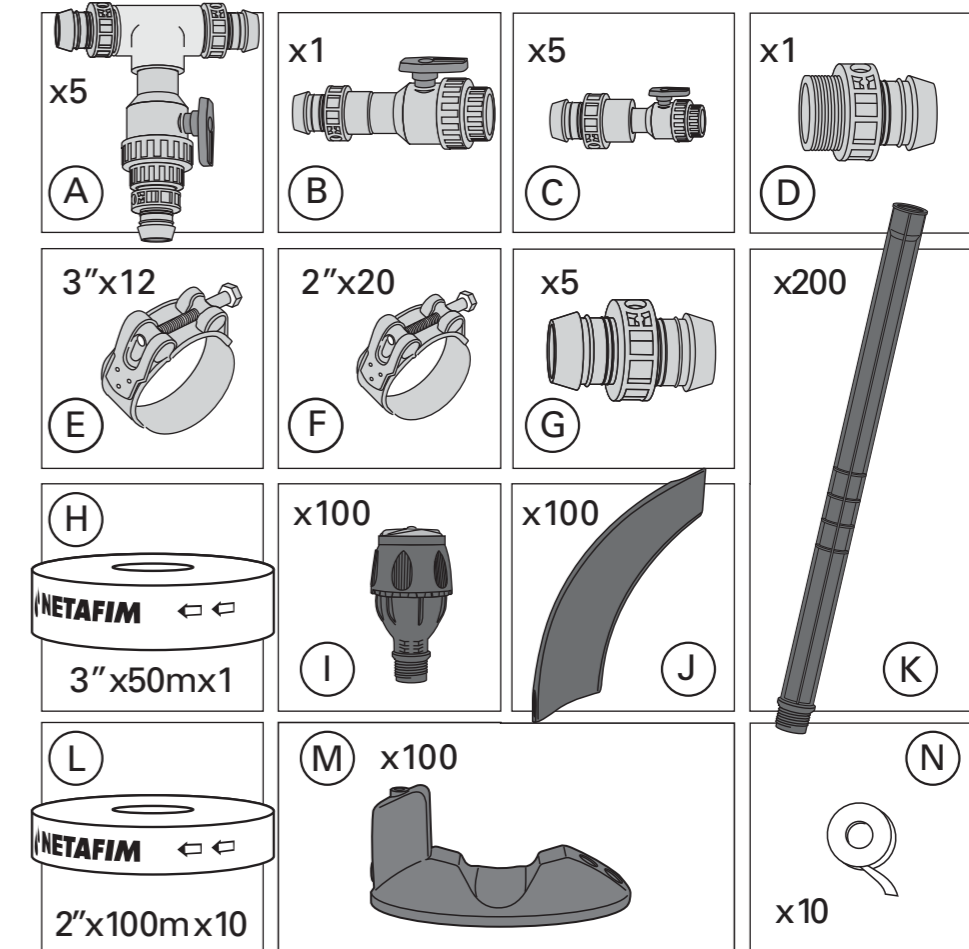
04-1211-SPR-UM-0011-EN

NETAFIM™
GROW MORE WITH LESS

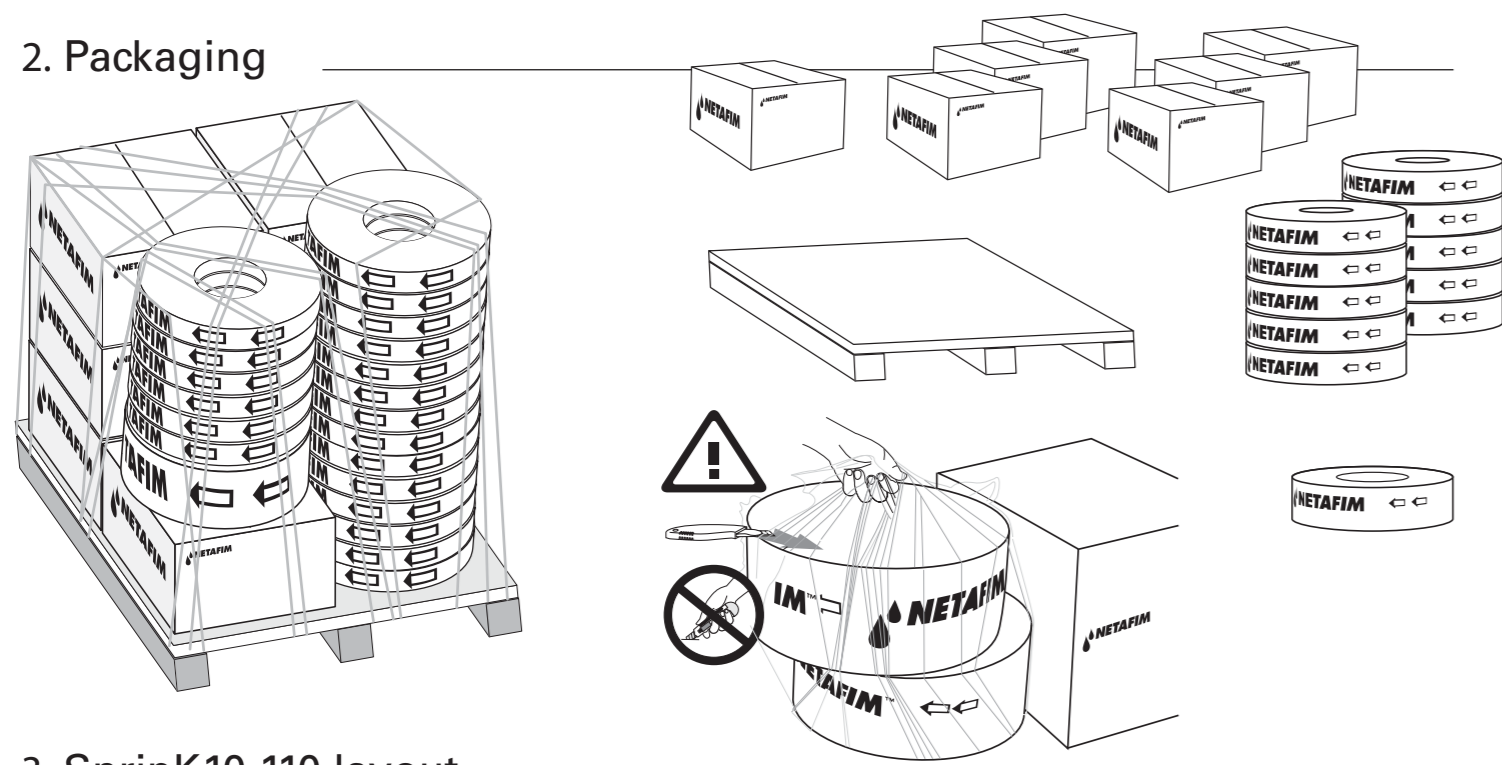
NETAFIM™
GROW MORE WITH LESS

Sprink 10 110

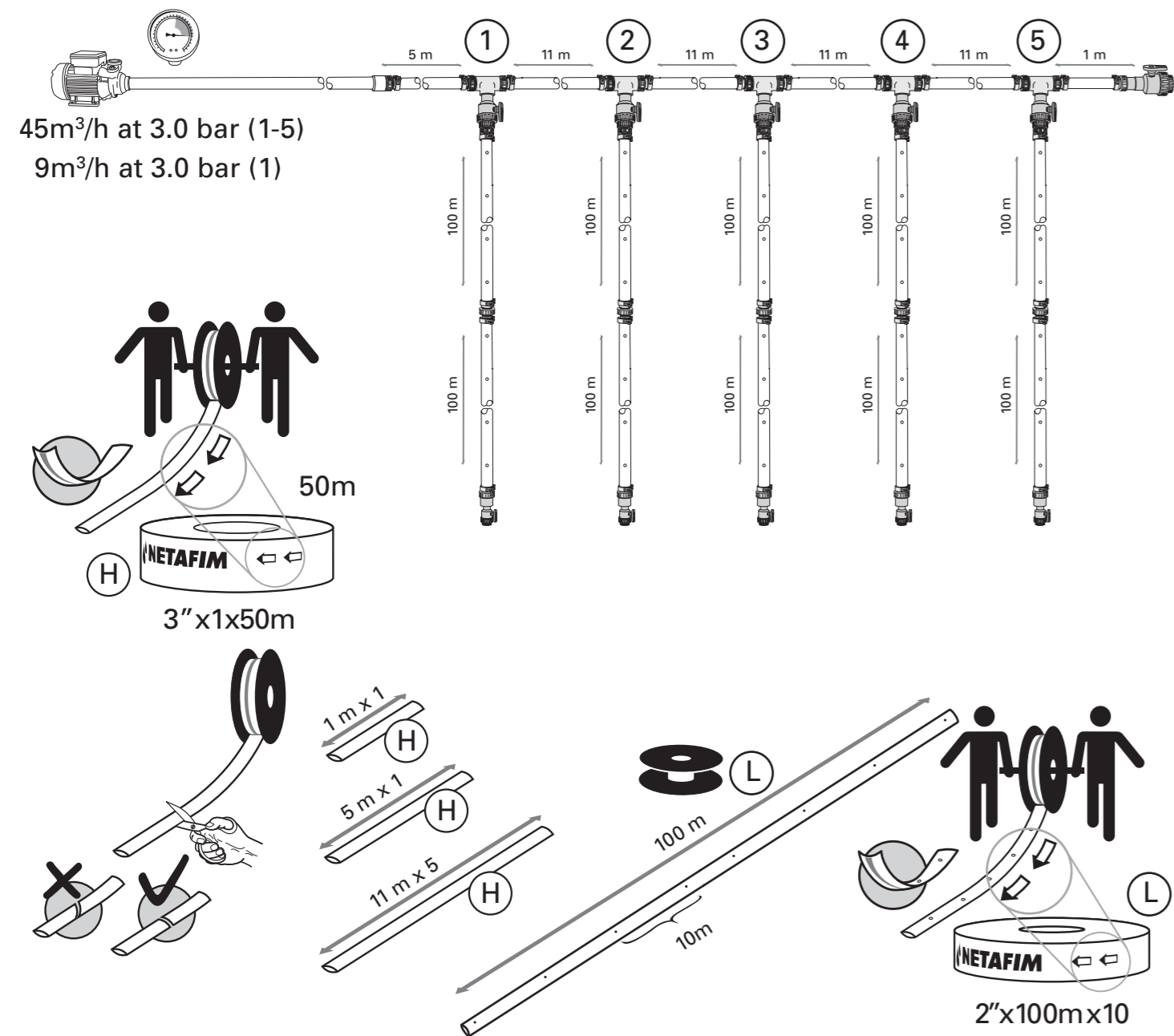
1. Components



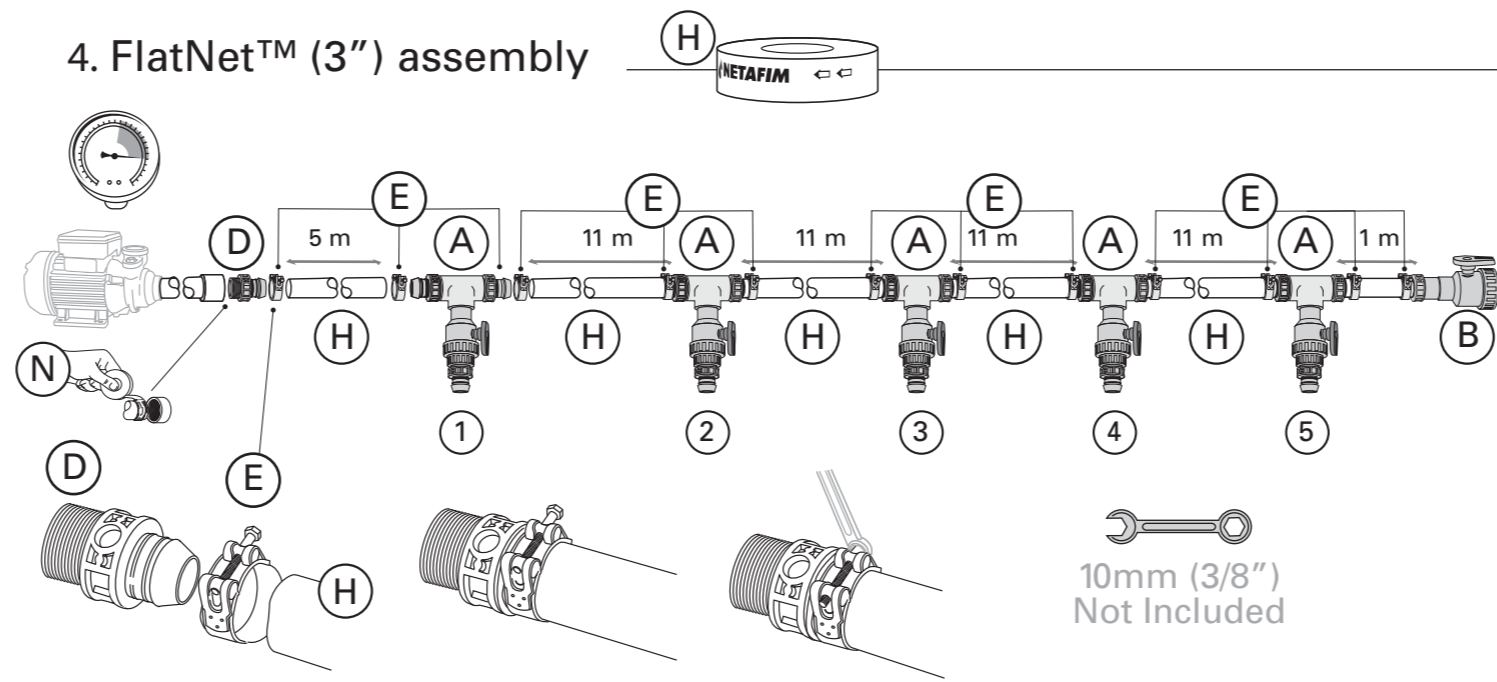
2. Packaging



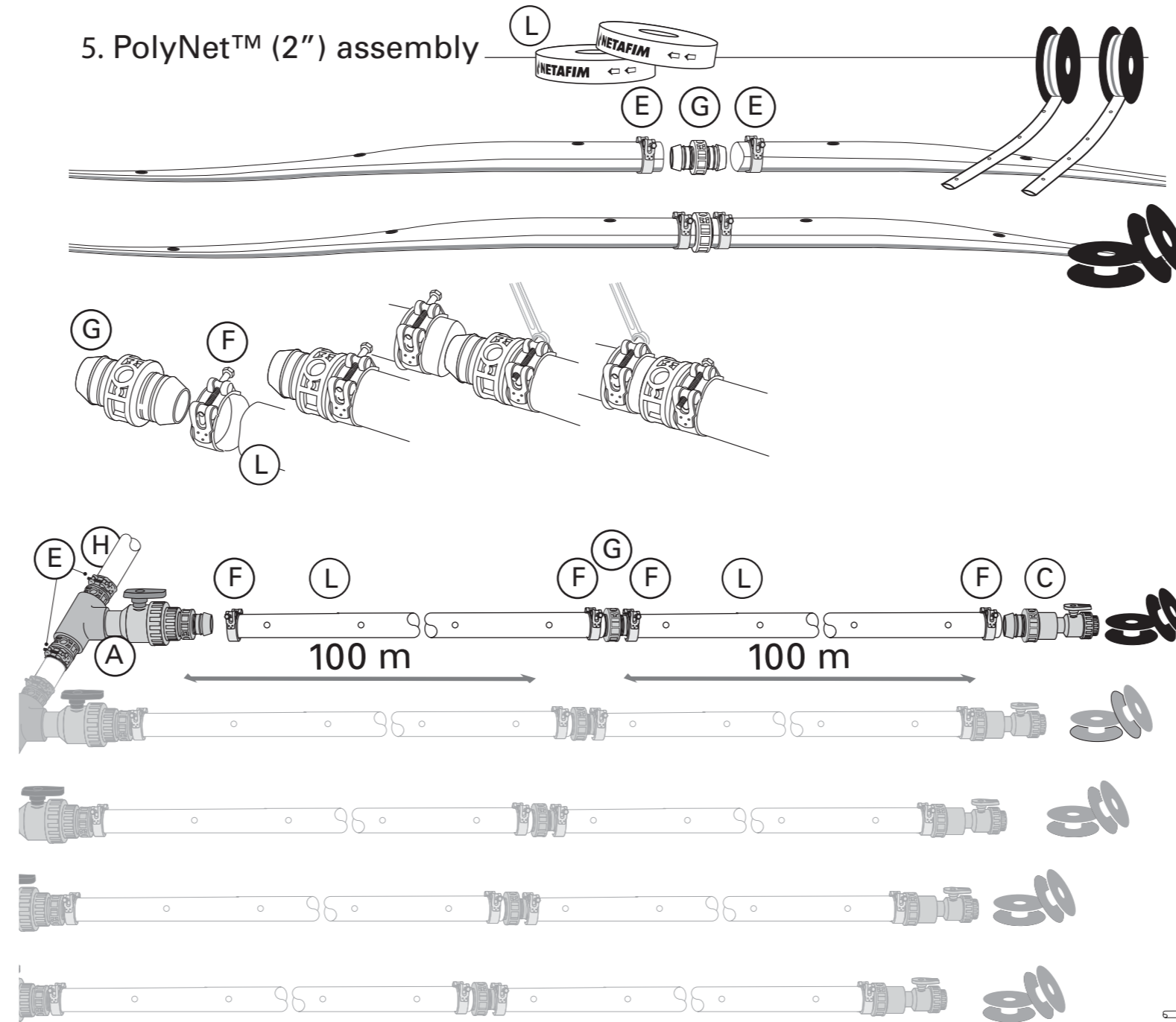
3. SprinkK10 110 layout



4. FlatNet™ (3") assembly



5. PolyNet™ (2") assembly



6. Sprinklers assembly

