

Model IRT

Water Meter

Special design with free water passage allows measurement of water with high contents of impurities.

- **Applications**

Irrigation and sewerage metering

- **Available Sizes**

3" - 10" (80mm - 250mm)

Features:

- Negligible head loss
- Simple maintenance
- Field replaceable measuring unit
- Hermetically sealed register with glass lens
- Bearings are constantly flushed during operation to eliminate deposit of solids
- Optional electrical output: EV (Volume) or EF (Rate of Flow)
- Compatible with Dialog automatic reading system



Technical Specifications

Maximum Working Pressure	16 bar
Maximum Liquid Temperature	60°C
Body	Cast iron, polyester coated
Connection	Flanges according to ISO, BS 10, ANSI 150 or others



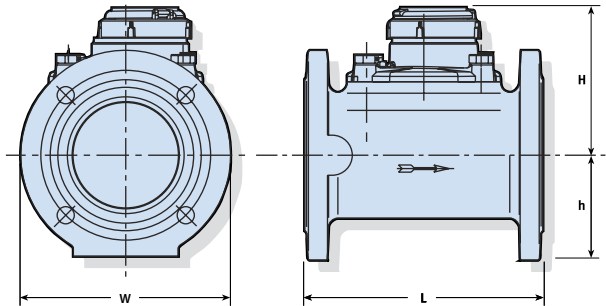
IRT type dial

Model IRT

Water Meter

Dimensions

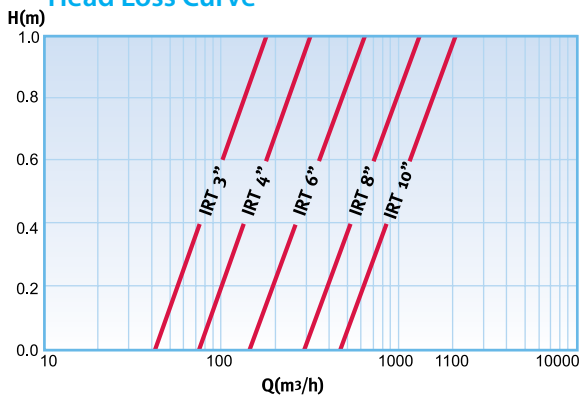
Model						
Nominal size	(mm)	80	100	150	200	250
	(inch)	3	4	6	8	10
L – Length without couplings (mm)		230	250	300	350	400
W – Width (mm)		240	260	310	315	438
H – Height (mm)		90	110	129	160	258
h – Height (mm)		16.5	19	32	45	55.5
Weight (kg)		15.5	19	35	47	75



Performance data:

Model IRT		Qmax	Qn	Qt	Qmin	Maximum	Smallest	Accuracy	Accuracy
Nominal size		Maximum	Nominal	Transitional	Minimum	register	readable	between	between
(mm)	(inch)	flowrate	Flowrate	Flowrate	Flowrate	capacity	unit	Qmax & Qt	Qt & Qmin
		(m3/h)	(m3/h)	(m3/h)	(m3/h)	(m3)	(liter)		
80	3	150	90	10	5	10 ⁷	10	±2%	±5%
100	4	250	125	11	7	10 ⁷	10		
150	6	500	250	15	10	10 ⁷	10		
200	8	900	450	30	18	10 ⁷	10		
250	10	1400	750	70	20	10 ⁸	100		

Head Loss Curve



Installation Requirements

- The meter can be installed in any position (horizontal, vertical or inclined)
- The meter must be always full of water while operating
- Prior to the installation of a new meter, the pipeline must be flushed out
- Straight pipe section of the same diameter D as the meter, having length of 10D and 5D shall be installed upstream and downstream of the meter respectively

For the most updated version, please view our website: www.arad.co.il